

1-phase Line Reactor to reduce mains disturbances

- 4% 1-phase line reactor for 400 V network
- Reducing harmonics on the mains side
- Reliable and economical solution for mitigating mains disturbances



Approvals & Compliances



Features and Benefits

Reduction of harmonics and commutation notches

Limitation of peak current

Increase the service life and equipment

Typical Applications

Heat pumps

Harmonic current mitigation for single phase equipment

Reactive power compensation

Technical Specifications

Nominal operating voltage	230V
Impedance (uk)	4% @ 230 V, 50 Hz and rated rms current
Insulation class	Class B (130°C)
Protection category	Natural cooling AN
Ambient temperature range	-25°C to +40°C fully operationa
Climatic category	25/85/21 (IEC 60068-1)
Overvoltage category	OV III

Reactor Selection Table

Reactor	Rated current@ 45°C [A]	Rated Power * [kW]	Inductance value [mH]	Typical power losses [W]	Weight [kg]
RWS 100-1-99	1	1.1	16.9	2	0.5
RWS 100-3-99	3	2.2	9.79	8	0.5
RWS 100-6-99	6	4	4.9	11	0.7
RWS 100-12-99	12	5.5	2.45	15	1.45
RWS 100-16-99	16	7.5	1.83	15	1.68
RWS 100-24-99	24	11	1.22	19	2.42
RWS 100-32-99	32	15	x	x	x
RWS 100-45-99	45	18.5	0.651	30	4.5
RWS 100-120-99	120	22	x	x	10

* Calculated at rated current, 400VAC and cos phi=0.90

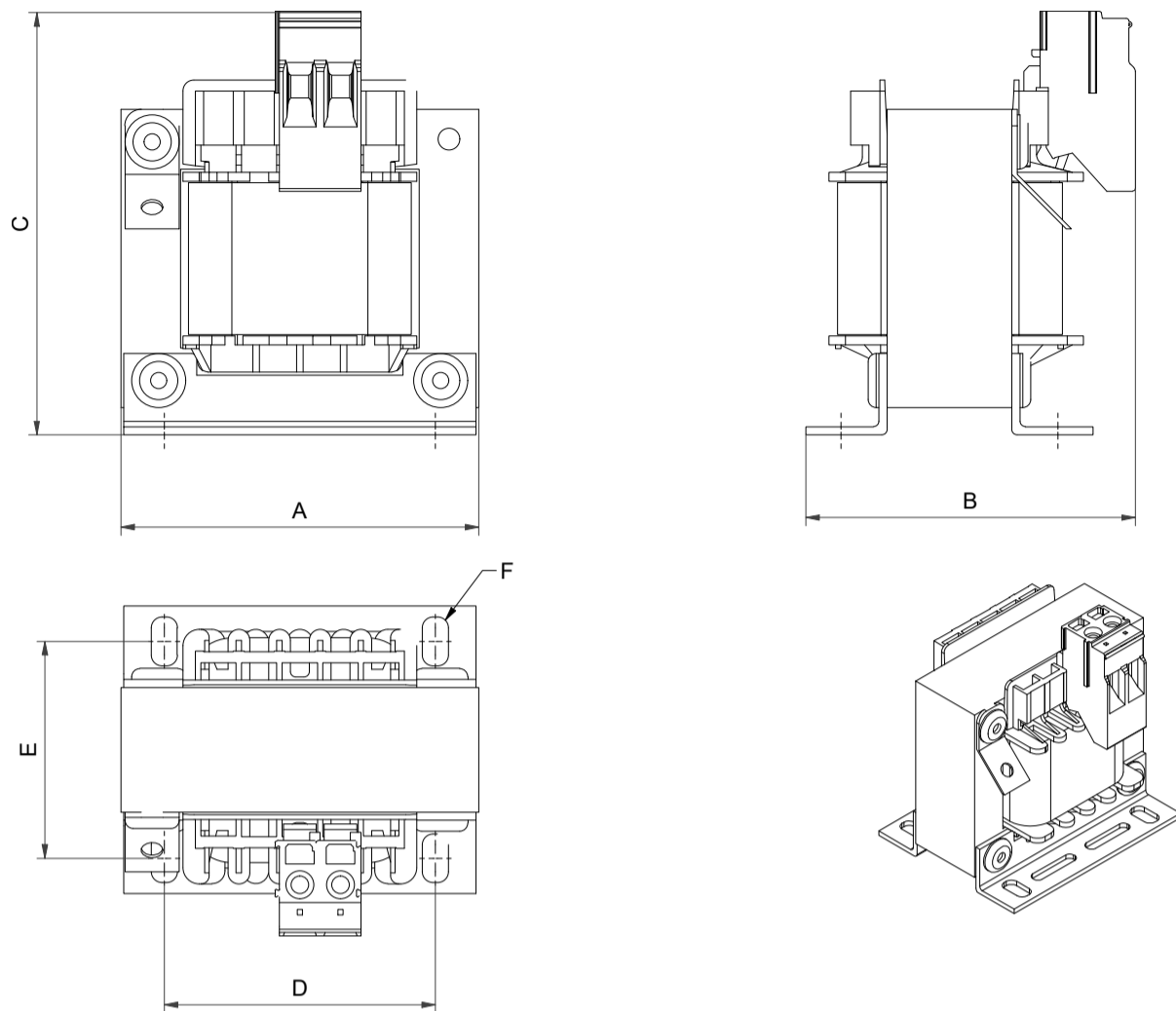
** Calculated at rated current, 480VAC and cos phi=0.89

*** For reference in North America market

Terminals

Type	-88	-89	-92	-99
Ring cable shoe	-	-	M6	M8/M10/M12
Fork cable shoe	M3.5 width max. 6.4mm	M4 width max. 8.0mm	-	-
Flex wire AWG	22-16	16-14	-	-
Rec. torque	0.78 Nm	1.76 Nm	-	-

Mechanical data



Dimensions

RWS100	A	B	C	D	E	F
1	60	48	78	44	36	3.6x7
3	60	48	78	44	36	3.6x7
6	66	56	81	50	41	4.8x9
12	78	61	85	56	45	4.8x9
16	84	86	100	64	48	4.8x9
24	84	102	100	64	62	4.8x9
32	x	x	x	x	x	x
45	96	120	118	84	86	5.8x9
120	155	220	135	122	103	7x15

All dimensions in mm; 1 inch = 25.4mm

General tolerance: ISO 2768-v

Headquarters, Global Innovation and Development

Switzerland

Schaffner Group

Industrie Nord
Nordstrasse 11e
4542
Luterbach
+41 32 681 66 26
info@schaffner.com

Sales and Application Centers

Switzerland

Schaffner EMV AG

Industrie Nord
Nordstrasse 11e
4542
Luterbach
+41 32 681 66 26
switzerlandsales@schaffner.com

China

Schaffner EMC Ltd. Shanghai

Building C
T20-3 C No 565 Chuangye Road Pudong
district
C 幢 上海市浦东新区创业路 565 号 T20-3
201201
Shanghai
+ 86 21 38 139 500
cschina@schaffner.com

Singapore

Schaffner EMC Pte Ltd.

Blk 3015A Ubi Road 1 #05-09 Kampong Ubi
Industrial Estate
408705
Singapore
+65 63773283
singaporesales@schaffner.com

To find your local partner within
Schaffner's global network schaffner.com

© 2023 Schaffner Group

The content of this document has been carefully checked and understood. However, neither Schaffner nor its subsidiaries assume any liability whatsoever for any errors or inaccuracies of this document and the consequences thereof. Published specifications are subject to change without notice. Product suitability for any area of application must ultimately be determined by the customer. In all cases, products must never be operated outside their published specifications. Schaffner does not guarantee the availability of all published products. This disclaimer shall be governed by substantive Swiss law and resulting disputes shall be settled by the courts at the place of business of Schaffner Holding AG. Latest publications and a complete disclaimer can be downloaded from the Schaffner website. All trademarks recognized.